

**Suitable for all rotating machines with a low pressure differential, automotive engine water pumps, heavy duty, agricultural or construction machines. Suitable also for domestic appliances**



- Monobloc for rapid installation
- Designed for limited spaces in length
- Interchangeable compatible counterfaces (generally type L)
- Excellent anti-rotation resistance due to castellations between the face and bellows.
- **Temperature:** -40 °C to 110 °C
- **Pressure:** up to 1,5 bar
- **Max Speed:** 10 m/s
- **Shaft size:** <14mm, <18mm and <20,5mm

Performances shown above are minimum values for standard conditions of use; consult our technical experts for validation.

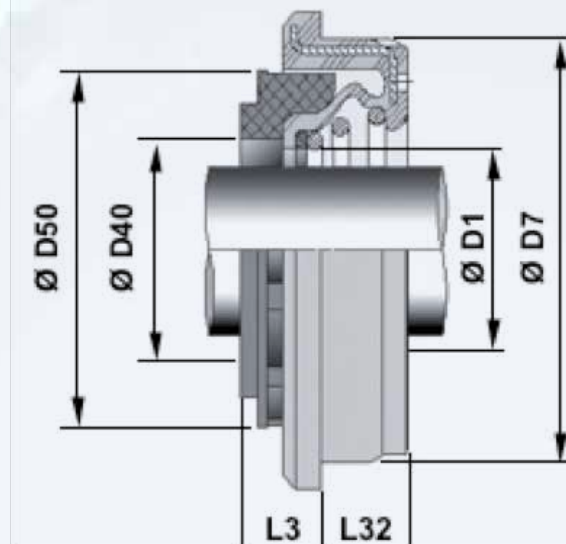
### DESIGNATION OF MATERIALS

	SELECTION FACTOR
Friction washer	Resin molded carbon
Elastomer parts	Nitrile
Metal part and spring	Stainless steel
	Porous silicon carbide
Seat	Stainless steel
	Alumina (99% optional)



## DIMENSIONS OF IFH HEAD (MM)

	SHAFT DIAMETER MAX (D1)	HOUSING (D7)	WORKING LENGTH (L3)	REAR HEIGHT (L32)
13	14	30	6,45	6,8
13	14	30	7,5	6,8
17	18	36,5	6,45	7,7
20	20,5	39,68	6,5	8,2

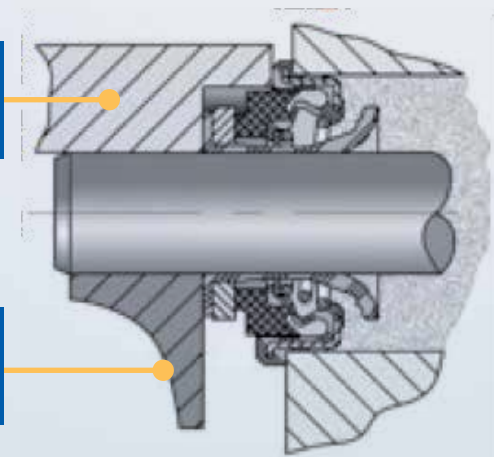


## MONOBLOC PACKING TYPE 16 EMH

- The seal head 17 IFH is also available with an integral rotating counterface, forming a unitized seal. It is suitable for shafts  $\varnothing$  16 mm
- Allows assembly in only one operation both into the housing and onto the shaft.



Set up using an appropriate tool (contact us)



Installation of the turbine or rotating element

SHAFT	HOUSING	WORKING LENGTH
17	36,5	6,45