

For automotive or industrial applications with a Ø12 mm shaft.

- Compact seal
- Simple concept (optimized forms)
- Ease of Assembly on pump (impeller independence)
- Metallic sleeve “Press to fit” assembly
- Compatible in Ethylene Glycol coolant
- Noise reduction with wave spring

- **Temperature:** -40 °C to 150 °C
- **Pressure:** up to 5 bar
- **Speed:** up to 9 000 rpm
- **Air test :** 1,5 cc/min at 1,2 bar
- **Water leakage:** 15 g/500h

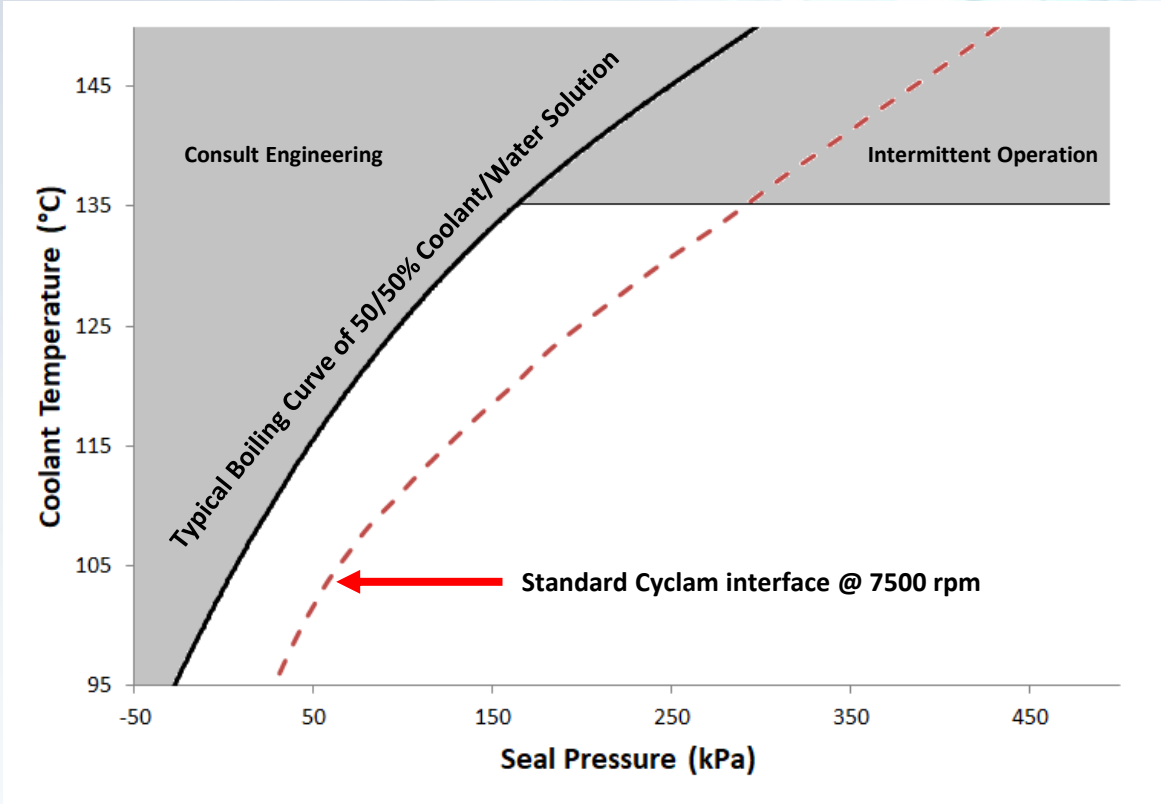


Data above are minimum performance values for standard conditions of use;

SEAL COMPONENTS	MATERIALS
Primary Ring	Hard carbon/Carbographite
Mating Ring	Bulk Silicon Carbide
Retainer	Stainless Steel
Bellows	HNBR
Spring	Stainless Steel
Ferrules	Stainless Steel
Cup	HNBR
Sleeve	Stainless Steel

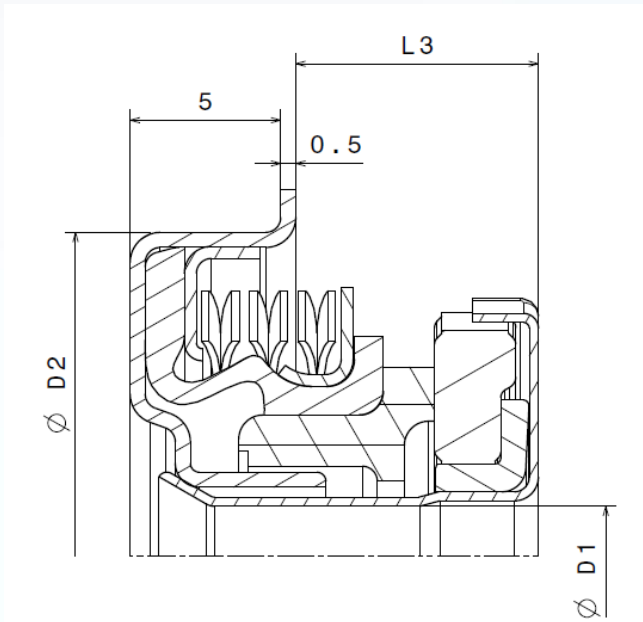
Direction / Contact

Operating Limits



Dimensional Data

Shaft (D1)
12 mm
Bore Diameter (D2)
30,00 mm
Working Length (L3)
7,15 mm



Direction / Contact